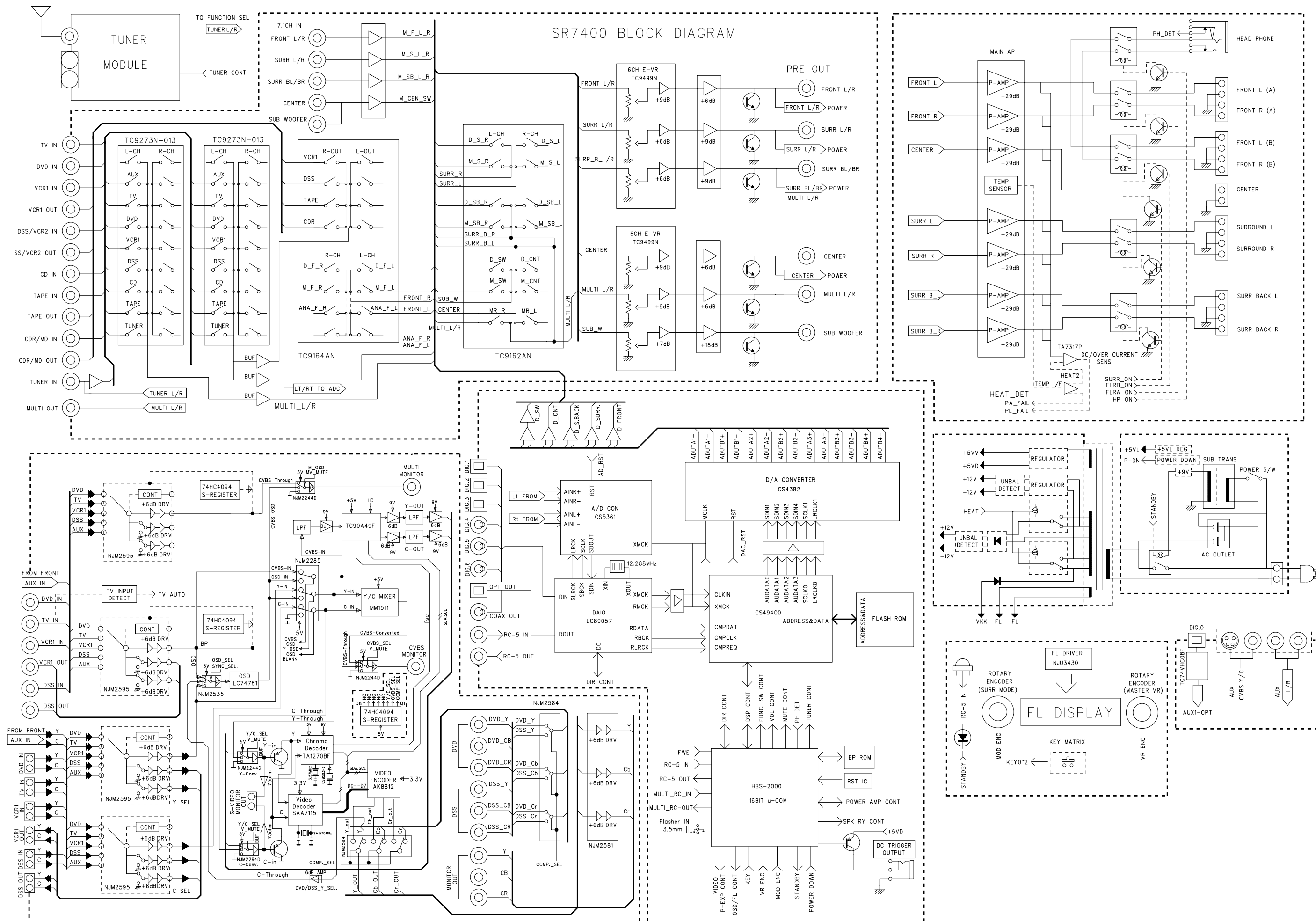
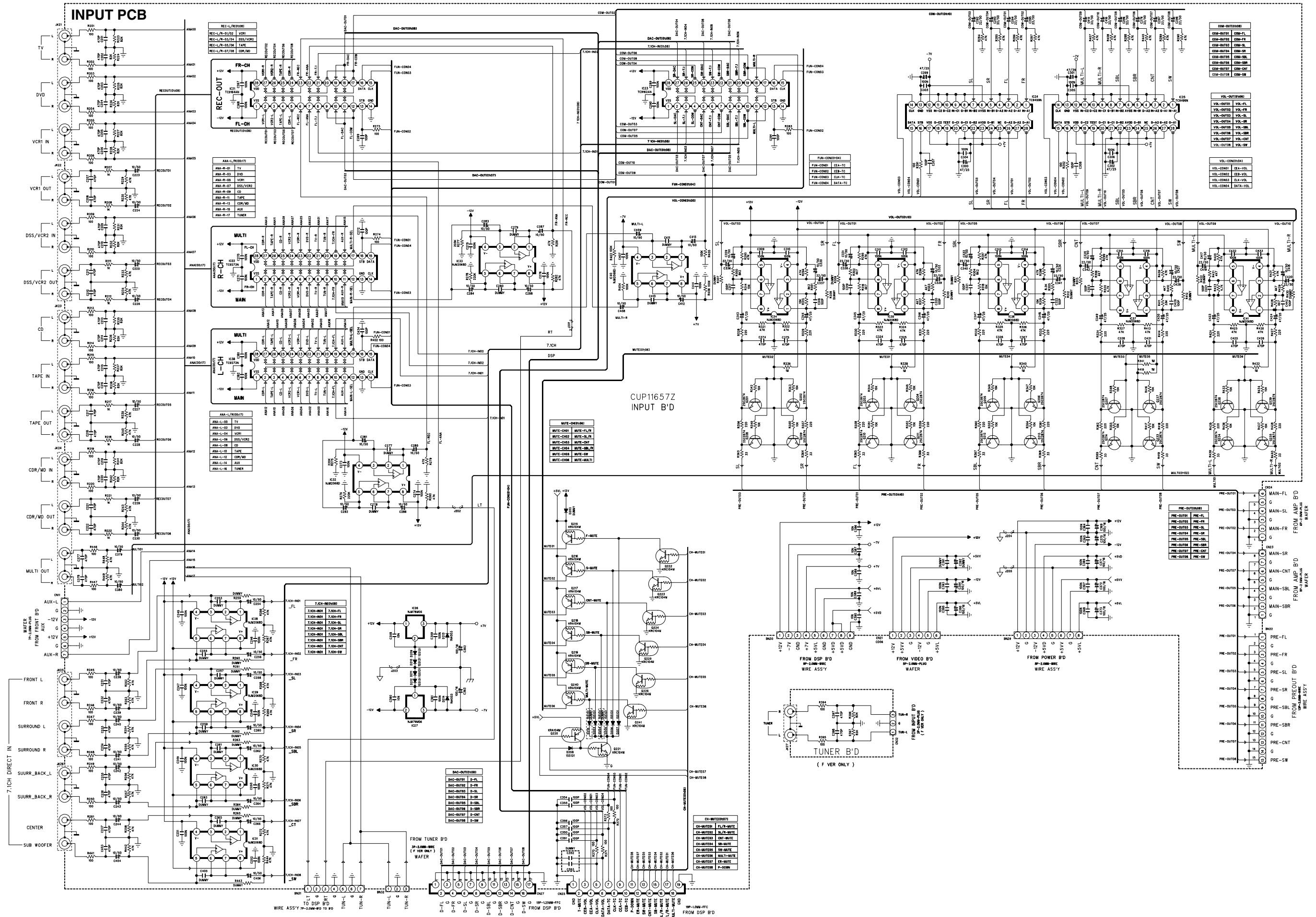


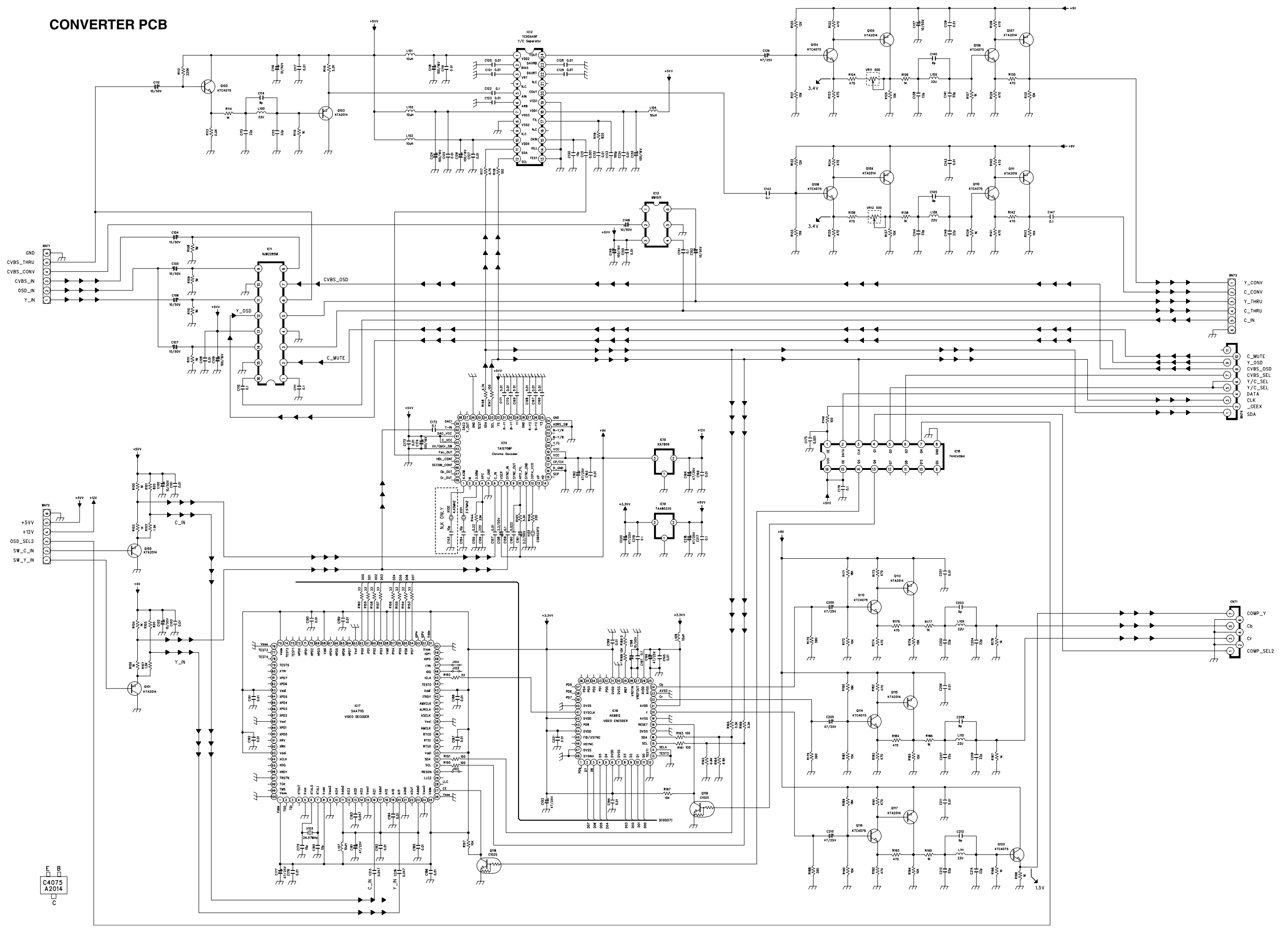
#### 4. BLOCK DIAGRAM



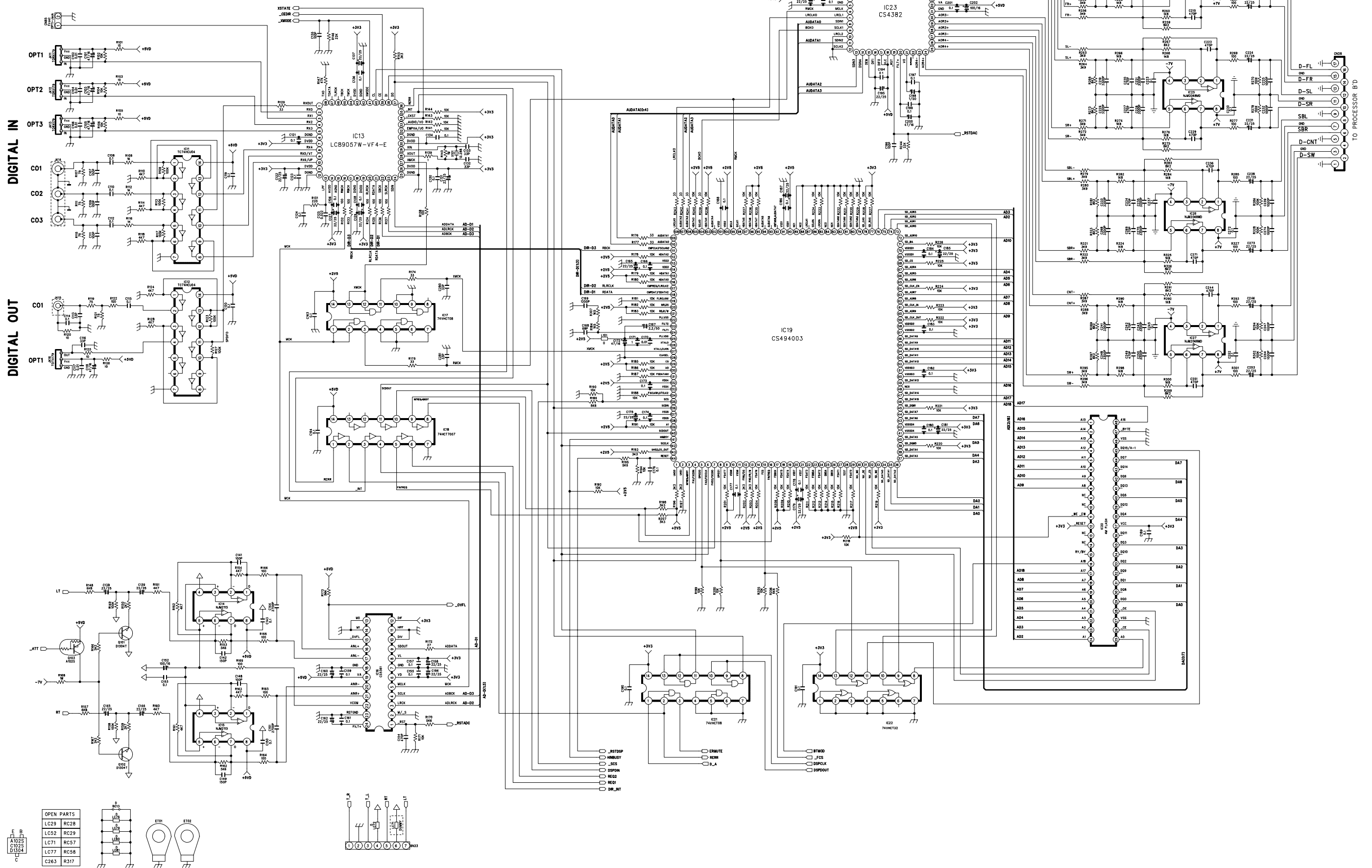
# 5. SCHEMATIC DIAGRAM



# CONVERTER PCB



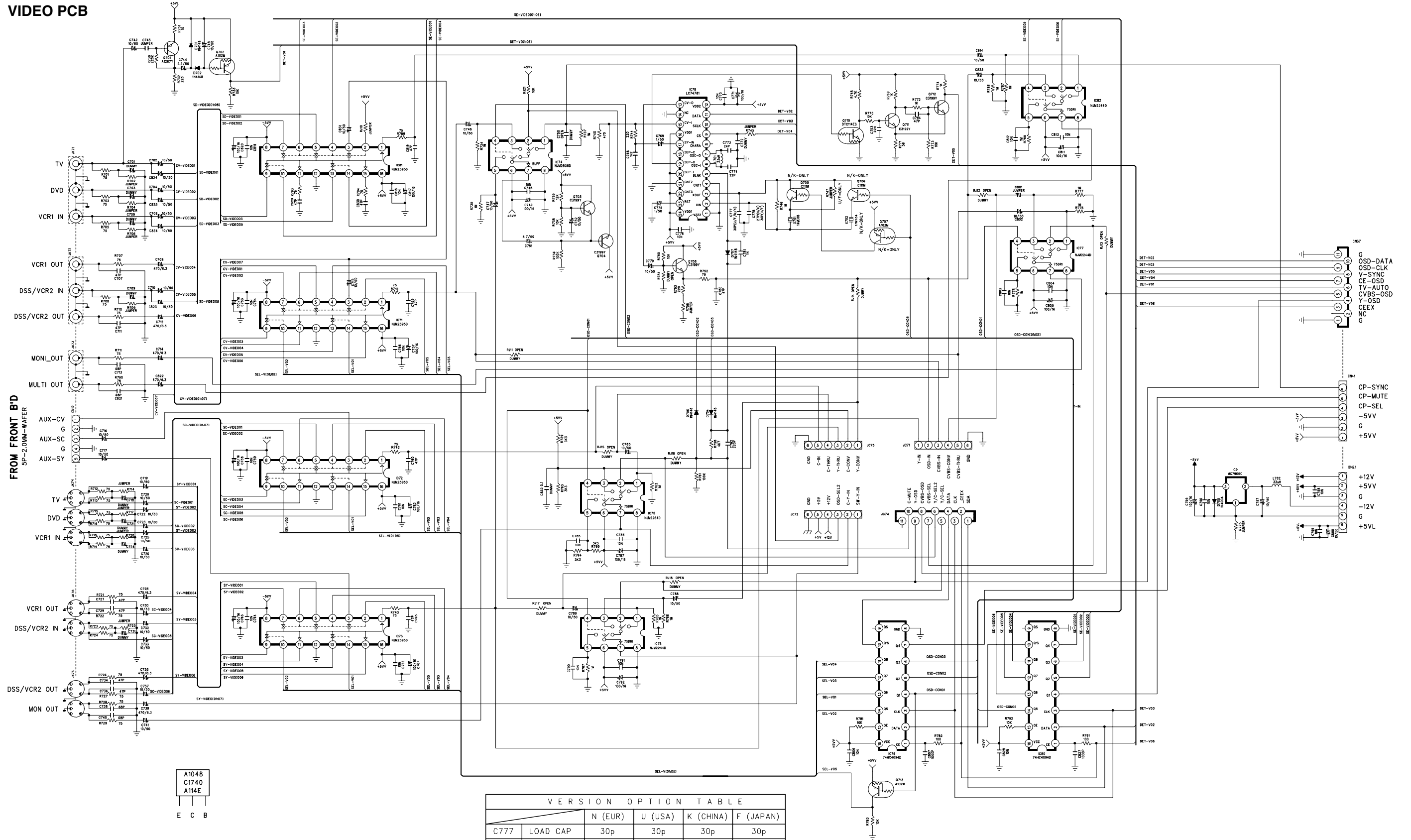
# DSP PCB - 1/2



OPEN PARTS

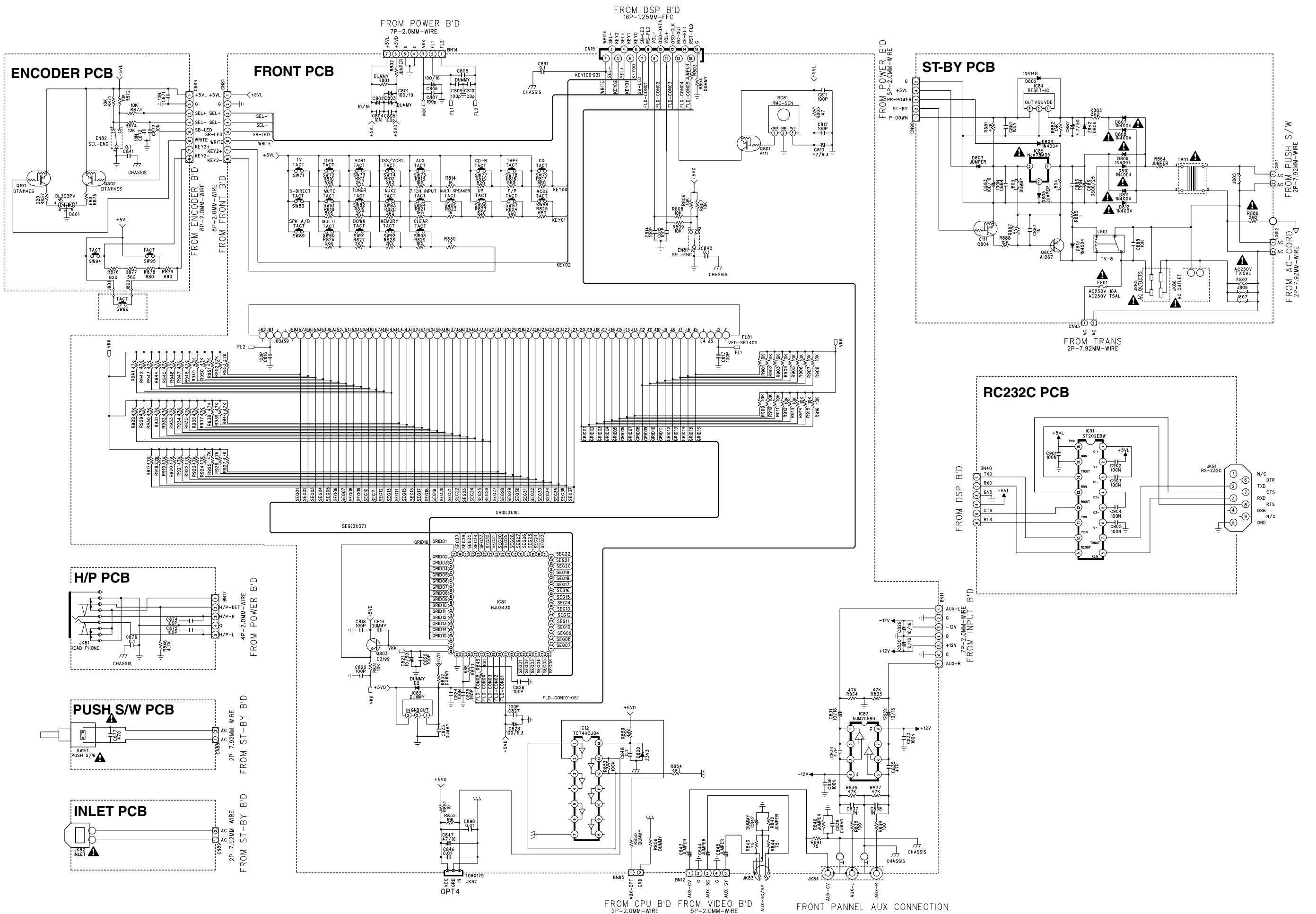
LC29	RC28
LC52	RC29
LC71	RC57
LC77	RC58
C263	R317

VIDEO PCB

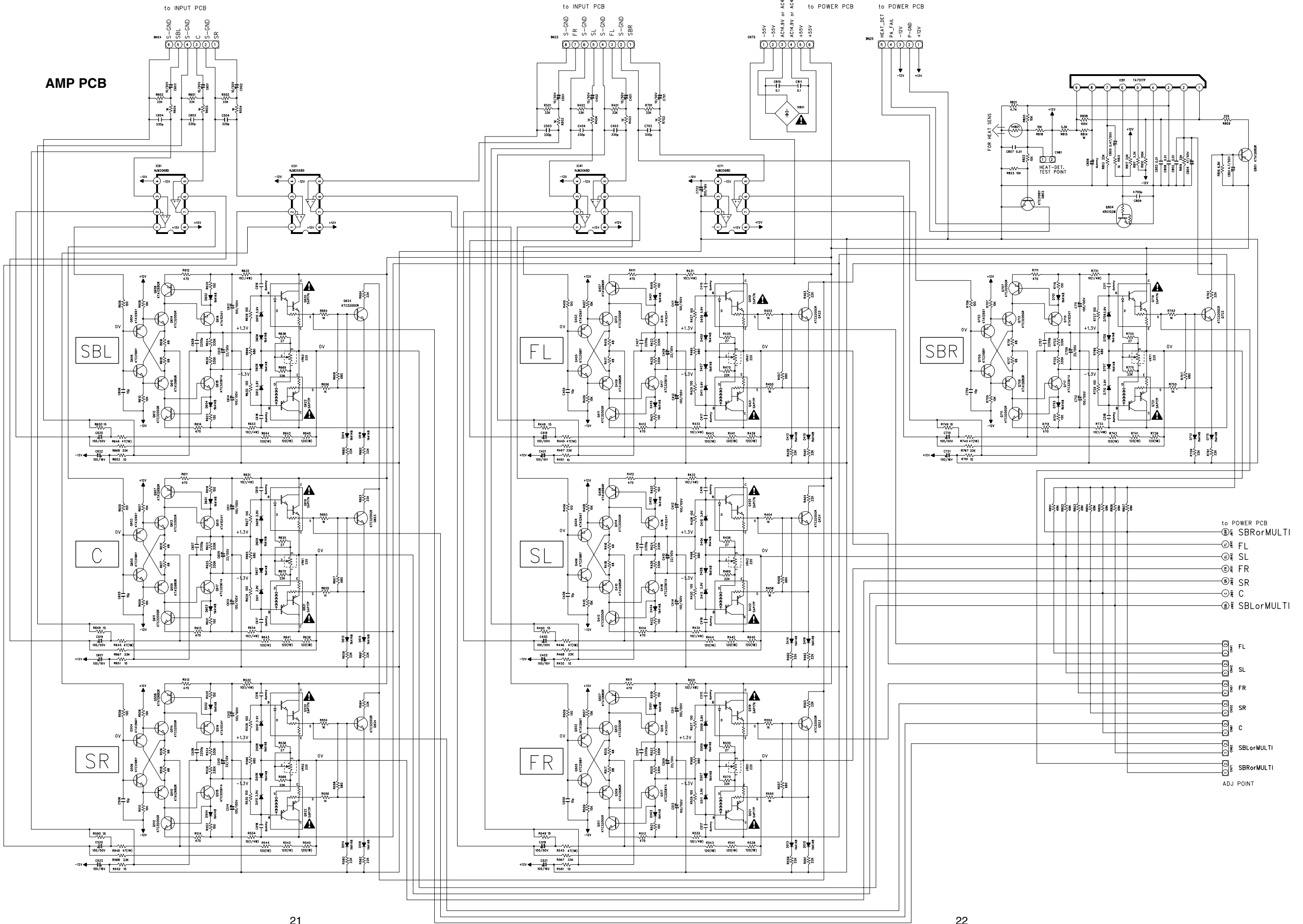


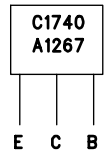
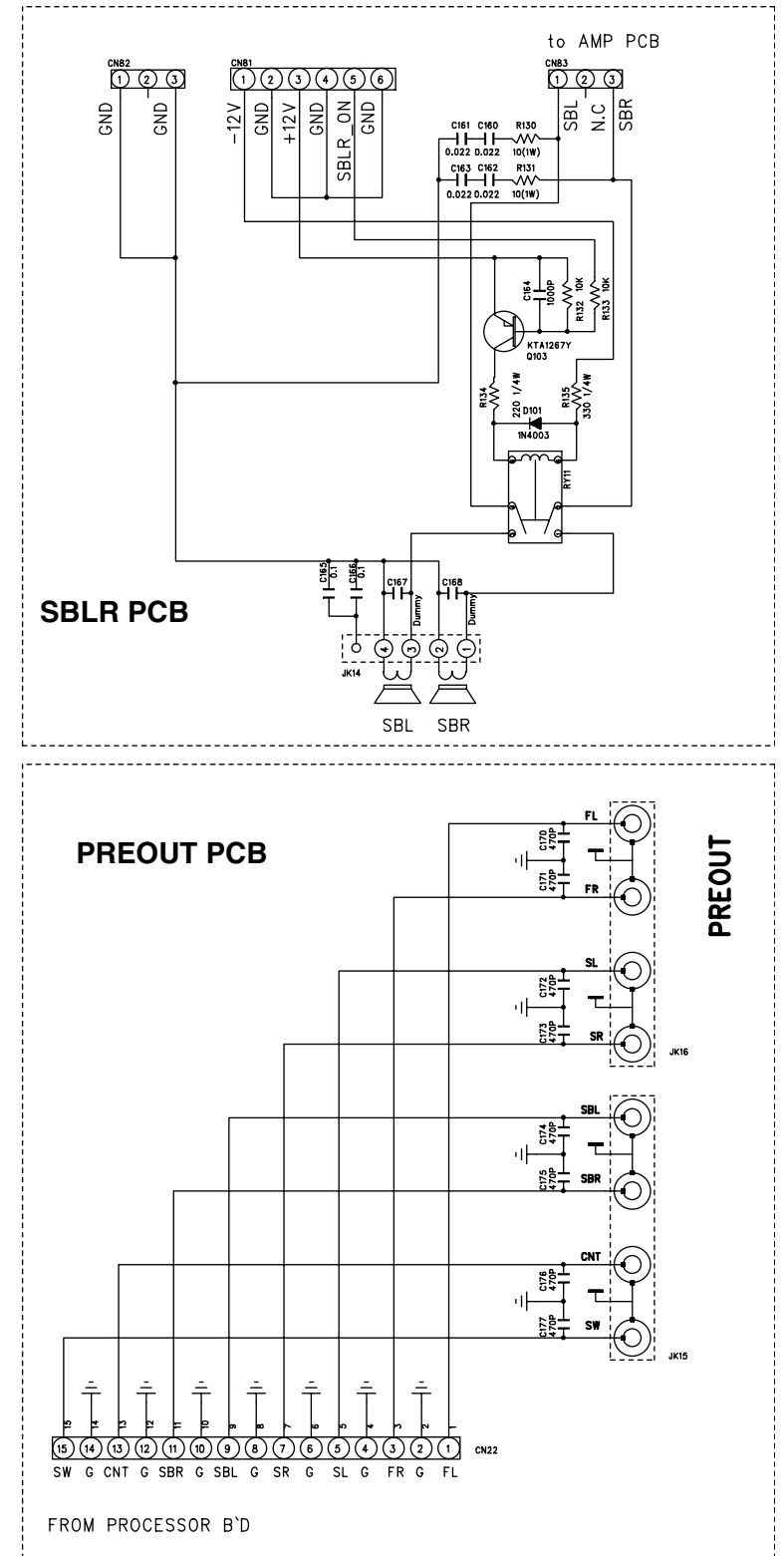
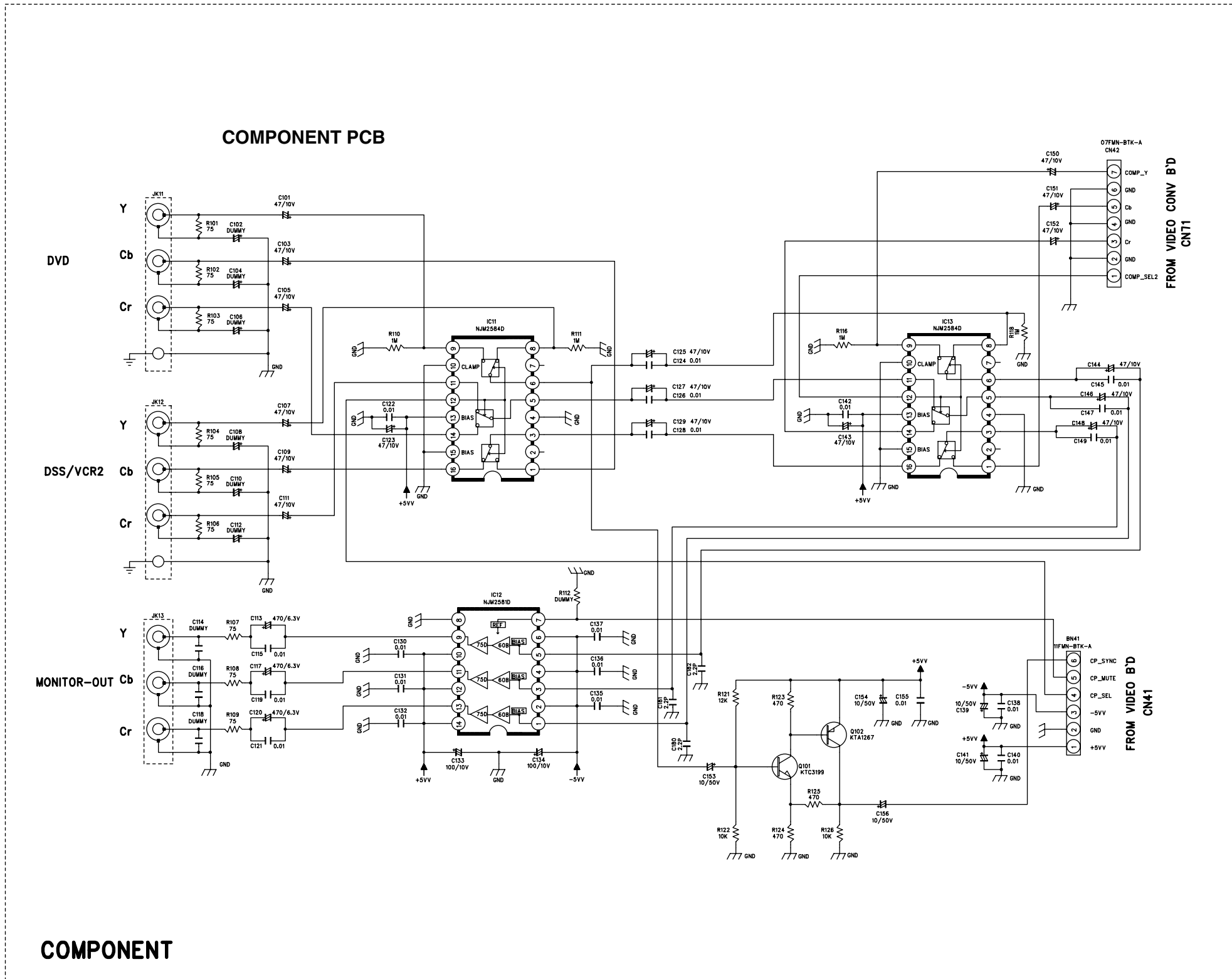
A104B  
C1740  
A114E  
E C B

VERSION OPTION TABLE					
		N (EUR)	U (USA)	K (CHINA)	F (JAPAN)
C777	LOAD CAP	30p	30p	30p	30p
C778	LOAD CAP	27p	30p	27p	30p
Q705	KRC111M	○	×	○	×
Q706	KRC111M	○	×	○	×
Q707	KRA102M	○	×	○	×
R747	JUMPER	×	○	×	○
X702	17.7344MHz	○	×	○	×

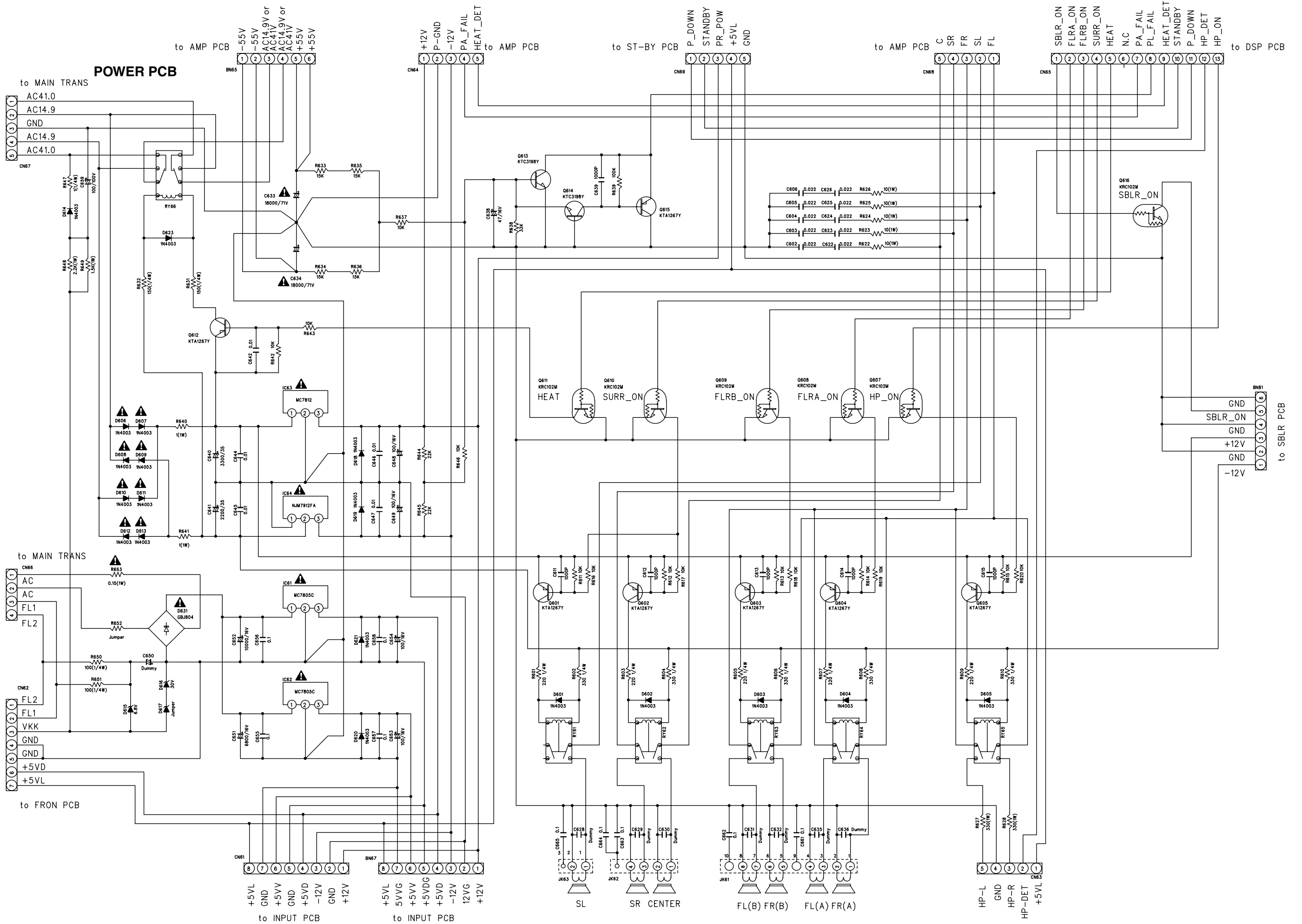


**AMP PCB**









# DSP PCB - 2/2

